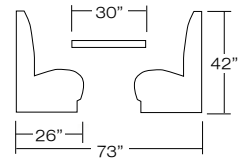
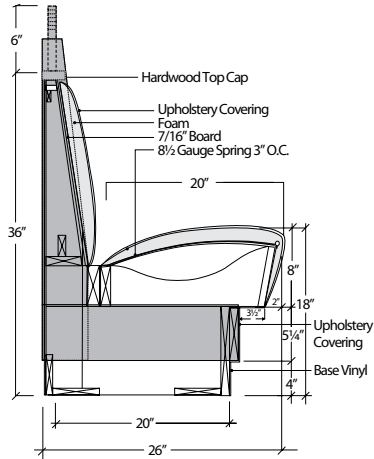


Mt. Boston 700

The warmth of solid wood and your choice of fabric or vinyl combine to complete your design requirements. The removable back is available in any of our designs and the seat is also removable for ease of maintenance. A crumb rail for effortless cleaning brings functionality to this elegant style.

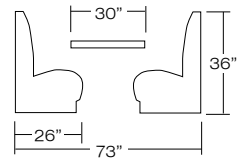
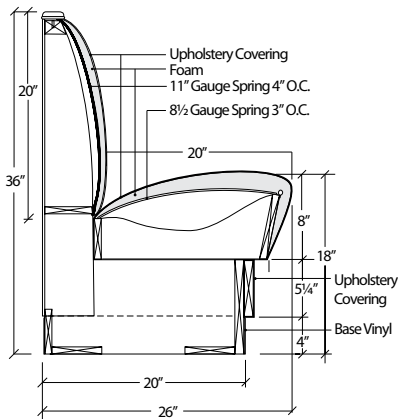


(custom designs available)

Mt. Boston 730
(Shown with back style 30 two channel back)

Mt. Baker 800

For the ultimate in comfort, the Mt. Baker adds a spring back to our basic booth design. The removable back and sloping seat make the Mt. Baker an ideal choice for any establishment.



Mt. Baker 830
(Shown with back style 30 two channel back)