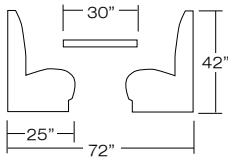
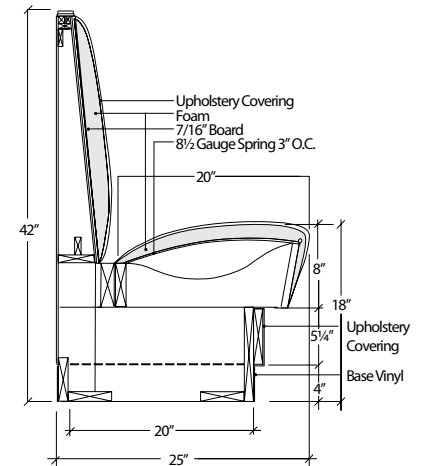


# Mt. Sahale 3200

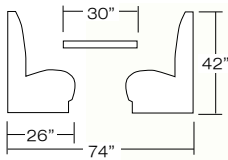


Mt. Sahale 3270  
(Shown with back style 70 head rest)

The Mt. Sahale booth is an elegant 42" tall and features a crumb rail for easy cleaning. The back style is interchangeable with any of our designs and the seat is removable for storage and maintenance. This booth is finished with a 4" black base.



# Mt. McKinley 7200



Mt. McKinley 7260  
(Shown with back style 60 half diamond back)

A combination of wood and upholstery gives this booth an outstanding presence. The beech frame can be stained in any of our stock colors. The Mt. McKinley stands 42" tall and a removable back and seat make cleaning and maintenance easy.

