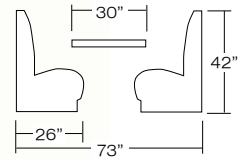
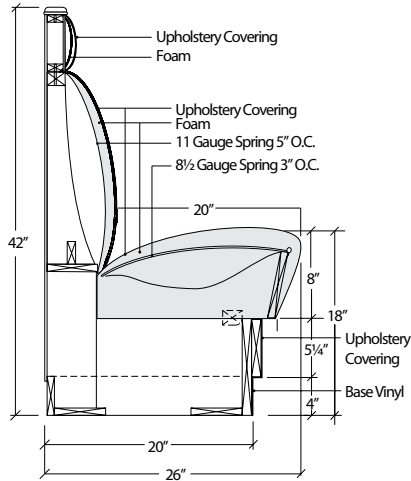


Mt. Tahoma 8200

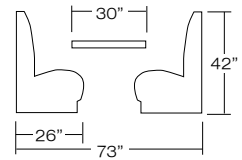
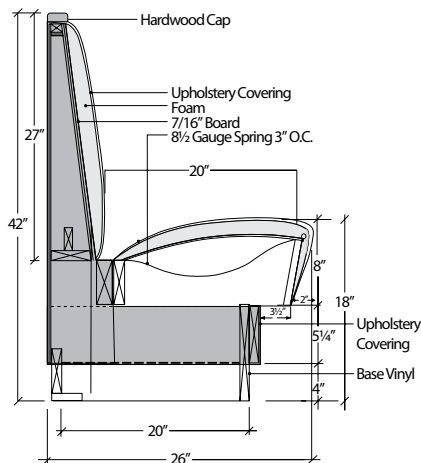
An optional headrest on the Mt. Tahoma adds extra comfort and privacy to this booth style. The spring back offers added luxury and the sloped seat provides extra leg room. As always, cleaning and maintenance are easy with a removable back and seat.



Mt. Tahoma 8290
(Shown with back style 90)

Mt. Lincoln 9200

The Mt. Lincoln stands 42" tall and offers a combination of upholstery and solid wood trim. The seat design offers extra leg room and is removable for the convenience of storage and cleaning. This booth comes standard with a crumb rail.



Mt. Lincoln 9250
(Shown with back style 50 biscuit tufted back)